



INSTALLATION INSTRUCTIONS

BOLT DOWN BASE

Are supplied in two parts: a) Top Half - Spigot
 b) Bottom Half - Base plate

1. Bolt spigot to base plate using the bolts supplied.
2. Bolt base plate to the concrete pad using Dyna Bolts or similar
or Bolt base plate to timber decking using suitable bolts for timber.
Timber decks need to be reinforced between the joists.
3. Base must be LEVELLED so that the spigot is vertical.

INGROUND BASE

Are supplied in two parts: a) Top Half - Spigot
 b) Bottom Half - Inground Base

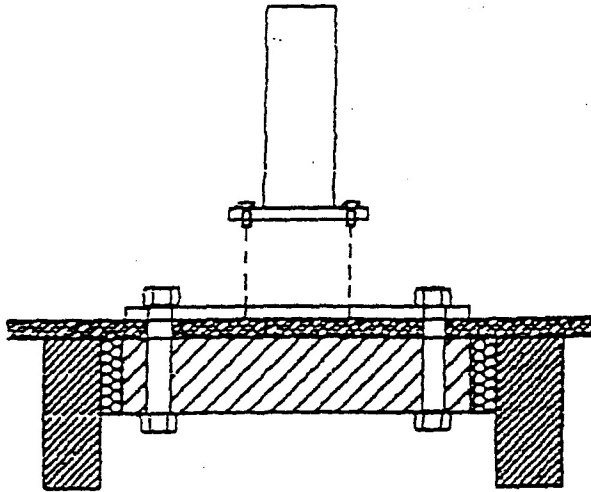
1. Bolt spigot to inground base using the bolts supplied.
2. Dig a hole for the concrete measuring approximately 400mm wide x 500mm deep.
3. **NOTE:** The size of the hole depends upon the soil type, e.g. Sandy soil = 500mm x 700mm.
4. The underside of the base flange should be **at least 12mm above** ground level.
5. The base must be LEVELLED so that the spigot is EXACTLY VERTICAL.
6. The concrete must be left to set for **THREE to FOUR DAYS** before standing the umbrella.
7. Stand umbrella post & top arm on the spigot.
8. Attach umbrella canopy frame to top arm.
9. Tighten grub screw with allen key supplied.

*** IMPORTANT NOTE ***

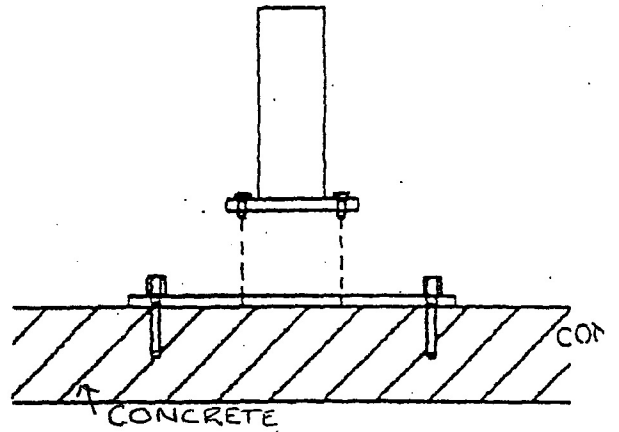
Over time the grub screws may loosen, especially in windy conditions. We recommend that the grub screw be checked regularly to ensure it is tight. Use the Allen Key supplied to ensure it is tight.

INSTALLATIONS

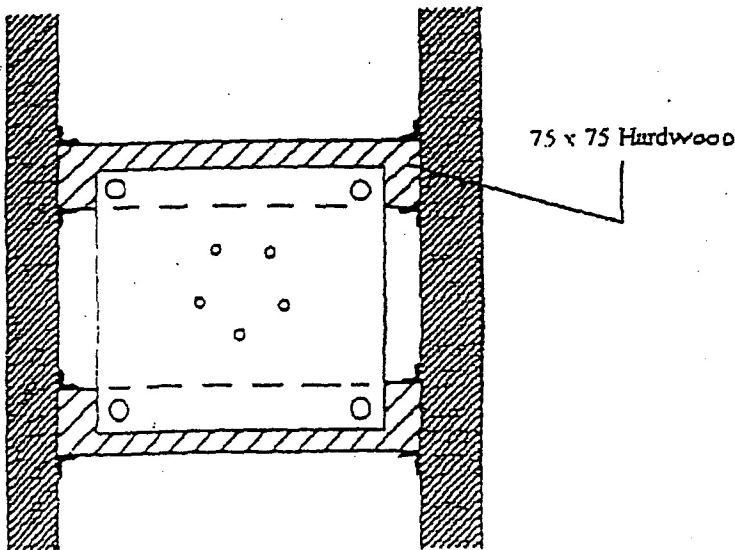
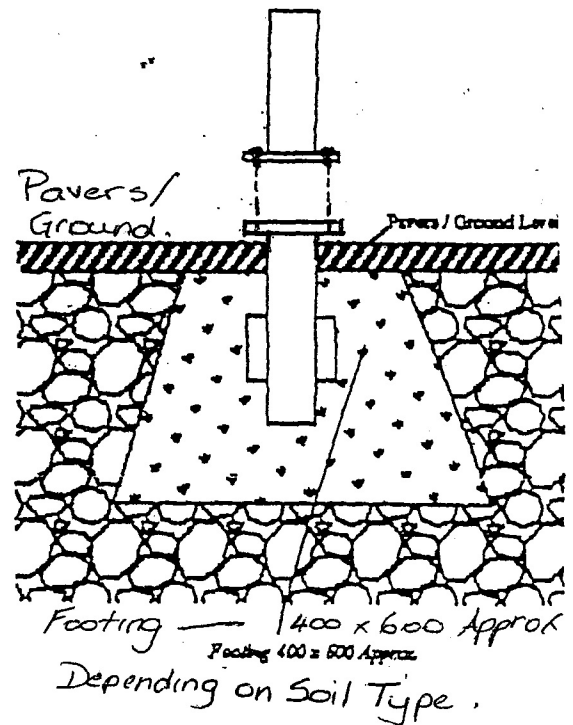
TIMBER DECK INSTALLATION
(SIDE VIEW)



BOLT DOWN BASE
(SIDE VIEW)



INGROUND BASE
(SIDE VIEW)



TIMBER DECK
PLAN VIEW